



LC-2

Astrotech LC-2 Chronometer

► Manufactured by ADS/Transicoil

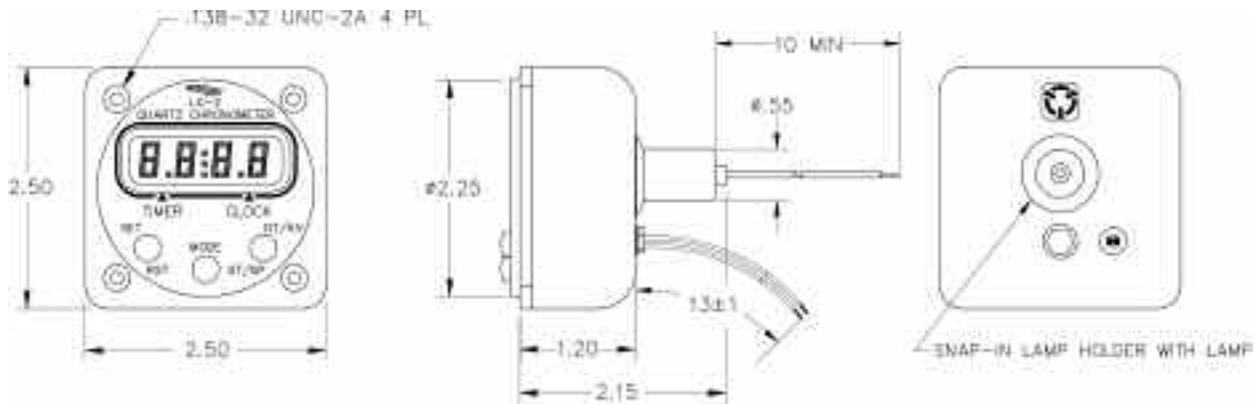
The Astrotech LC-2 is a precision clock-timer offering reliability at an economical cost. This chrono-meter provides time, date and elapsed timer with a hold or time-out feature.

FEATURES:

- Liquid Crystal Display for excellent sunlight readability
- Four-digit display
- Simple three-button operation
- Selectable 12 or 24 hour clock
- 24 hour elapsed timer
- Date display
- Internal lighting
- Two year battery life
- Rear mounts into standard 2-1/4" diameter instrument panel cutout

LC-2 Design Basis:

The Astrotech model LC-2 chronometer uses a custom designed microprocessor circuit which controls all clock/timer functions. The microprocessor is attached to a single circuit board, a simplified construction technique resulting in a high degree of reliability and performance at a low cost. Circuitry is not subject to dirt, vibration, friction, or the wear characteristics of mechanical clock movements.



LC-2 Specifications:

- ▶ **Clock:** 12 or 24 hour, 4 digit clock, internally switchable before installation.
- ▶ **Elapsed Timer:** 24 hour capacity, displays minutes/seconds for the first hour, hours/minutes thereafter to 100 hours.
- ▶ **Date:** Displayed in MONTH/DAY format.
- ▶ **Timing Accuracy:** Typically better than a few seconds per month.
- ▶ **Display:** Continuous readout using a Liquid Crystal Display for excellent readability in direct sunlight.
- ▶ **Lighting:** The display is lighted for night flying and connects to the aircraft instrument panel dimming circuit. Both 14V and 28V bulbs are included with each panel mounted clock.
- ▶ **Power:** If equipped with batteries, the life is normally 2 years. The power drain when connected to the aircraft battery is negligible (less than .003 Amps).
- ▶ **Weight:** Less than 5 oz. (142 grams)
- ▶ **Installation:** Installs directly into a standard 2-1/4" (57.2 mm) diameter clock panel cutout for the panel mounted LC-2 or mounts in the specified aircraft control wheels (see table below for part numbers).
- ▶ **Environmental:** The LC-2 is qualified to all of the applicable sections of RTCA DO-160 for electrical and mechanical compliance.

| Part No. Model | Model | Description |
|----------------|-------|--|
| AT420000 | LC-2 | Panel mounted, aircraft powered, 14V & 28V lamps included. |
| AT420100 | LC-2 | Panel mounted, powered with 2 internal AAA batteries. 14V & 28V lamps included. |
| *AT4210P0 | LC-2P | Piper control wheel (Part # 79217) mounted, aircraft powered, 14V Internal Lighting |
| *AT4220P0 | LC-2P | Piper control wheel (Part # 79217) mounted, aircraft powered, 28V internal lighting. |

* Special order only.